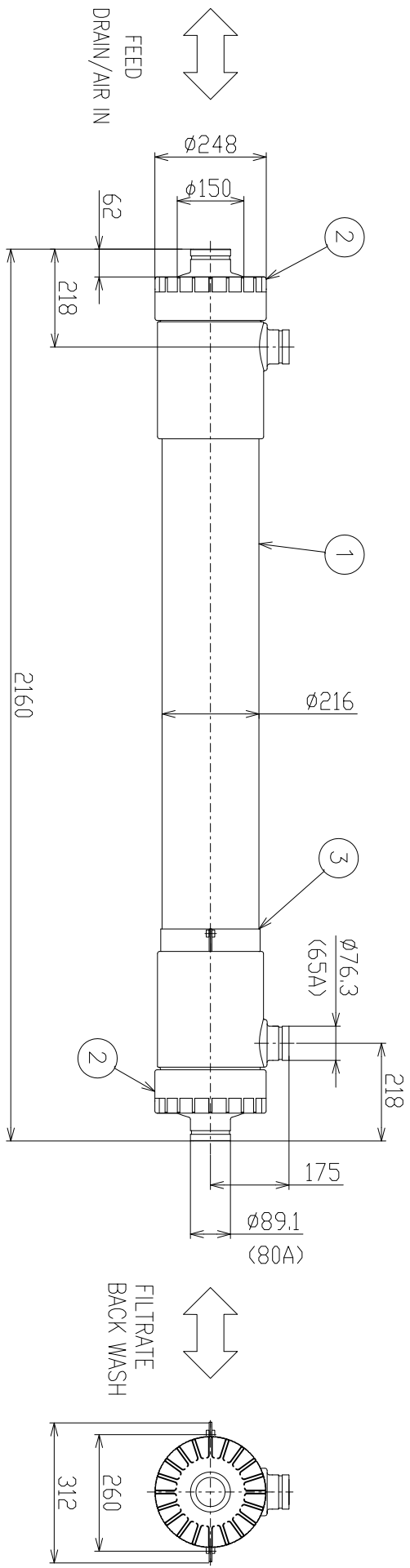


TORAY INDUSTRIES, INC.
 CONFIDENTIAL
 THIS DRAWING IS A PRIVATE AND
 CONFIDENTIAL COMMUNICATION AND THE
 PROPERTY OF TORAY INDUSTRIES, INC.
 IT MUST NOT BE COPIED OR LENT WITHOUT
 THE CONSENT OF TORAY INDUSTRIES, INC.

NO.	DESCRIPTION	MATERIAL	NO. REQ'D	REMARKS
1	Casing	PVC	1	
2	Cap	PVC	2	
3	Hanging Plate	SUS304	1	Option
-	Hollow Fiber	PVDF		
-	Adhesive	Epoxy or Urethane		
-	O-ring	EPDM	2	



REV. NO.	DATE	DESCRIPTION	DRWN	CHK'D	APP'D
1					
2					

TORAY 東レ株式会社
 Toray Industries, Inc.

SCALE 1/10 DATE OF PREP'D 2019.01.23
 DRWN J.Itohura CHKD K.Sakai
 DSGN H.Kanamori APPD K.Sakai

PVDF Hollow Fiber Membrane Module
 HFU-2020AN, HFM-2020AN, HFS-2020AN

REF. DWG. NO. TITLE OF REF. DWG. DWG. NO. AP-104-034AN REV.